

NISE 3640E

3rd Generation Intel® Core™ i7 Fanless System with
4x LANs, 6x COMs and 3x Independent Display



Main Features

- OnBoard 3rd generation Intel® Core™ i7 BGA processor
- Mobile Intel® QM77 PCH
- Support 1x 2.5" SATA HDD or 2x SATA DOM
- 2x Display Port; 1x VGA; 1x DVI-D; 2x USB3.0; 2x USB2.0
- 4x Intel® 82574IT GbE LAN ports; Support WoL, teaming and PXE
- 2x DB9 for RS232/422/485; 1x DB44 Serial Port for 4x RS232
- 1x internal Mini-PCIe socket supports optional Wifi or 3.5G module
- 1x CFast socket; 1xSIM card socket;
- Support +24VDC input; Support ATX Power mode
- 1x PCIe x4 expansion

Product Overview

Integrated with 3rd generation Intel® Core™ i7 with QM77 PCH platform, NISE 3640E series designed with 4x Intel® 82574IT GbE LAN controllers which can support up to 4 cameras and better throughput; besides, NISE 3640E series also supports WoL, LAN teaming and PXE function. With computing and graphic performance enhancement, NISE 3640E series support 3 independent display and deliver a level of performance ideal for image and vision measurement on traffic control, overspeed monitoring, real time update and ePlice. More, NISE 3640E series support 2x RS232/422/485, 4x RS232, 2x USB3.0, 2x USB2.0, 1x CFast socket, 1x SIM card socket, and 1x internal Mini-PCIe socket supports optional Wifi or 3.5G module.

Leveraging a reliable fanless, durable cable-free design and wide operating temperature, NISE 3640E series can be exhibited in harsh environments, where severe temperature variation and vibration may exist.

Specifications

CPU Support

- OnBoard 3rd generation Intel® Core™ i7 BGA processor
Core™ i7-3517UE, Dual Core, 1.7GHz, 4M Cache
- Mobile Intel® QM77 PCH

Main Memory

- On-board 2x DDR3/DDR3L SO-DIMM, supports up to 8GB DDR3/DDR3L 1333/1600 SDRAM, with un-buffered and non-ECC
- Pre-install 4G Industrial Grade Memory as the manufacture configuration for shipment

Display Option

- Three Independent Display (only support on 3rd Generation Processor)
 - Two Display Port and 1x VGA
 - Two Display Port and 1x DVI-D
- Dual Independent Display
 - VGA and DVI-D
 - Display Port and VGA

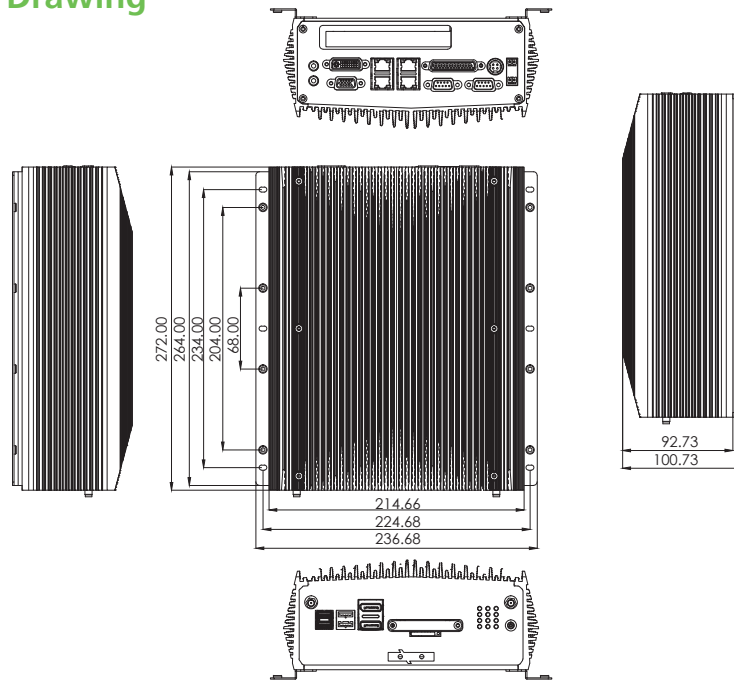
I/O Interface-Front

- ATX power on/off switch
- HDD access/ Power status/ LAN status LEDs
- 2x USB3.0 (Blue color)
- 2x USB2.0
- 2x Display Port (Can be converted to DVI-D or HDMI via active cables)
- 1x CFast socket
- 1x SIM card socket
- 2x Antenna holes

I/O Interface-Rear

- 2x DB9 for RS232/422/485
- 1x DB44 for 4x RS232
- 4x Intel® 82574IT GbE LAN ports; Support WoL, teaming and PXE
- 1x DB15 VGA port
- 1x DVI-D
- 1x Line-out and 1x Mic-in
- 2-pin Remote Power on/off switch
- +24VDC Input

Dimension Drawing



Storage Device

- 1x 2.5" SATA HDD or 2x SATA DOM (support 90°C horizontal type only)
- 1x CFast socket

Expansion Slot

- One PCIe x4 Expansion Slot
 - Add-on card length: 169mm max.
 - Power consumption: 10W/slot max.
- 1x Mini-PCIe socket (support optional WiFi or 3.5G module)

Power Requirements

- ATX Power mode
- Support +24VDC Input
- Optional power adapter

Dimensions

- 215mm (W) x 272mm (D) x 93mm (H) without wall mount bracket (8.5" x 10.7" x 3.7")

Construction

- Aluminum Chassis with fanless design

Environment

- Operating temperature:
 - Ambient with air flow: -20°C to 60°C (According to IEC60068-2-1, IEC60068-2-2, IEC60068-2-14)
 - Storage temperature: -30°C to 85°C
 - Relative humidity: 95% at 40°C
 - Shock protection:
 - HDD: 20G, half sine, 11ms, IEC60068-2-27
 - CFast: 50G, half sine, 11ms, IEC60068-2-27
 - Vibration protection w/ HDD Condition
 - Random: 0.5Grms @ 5~500 Hz according to IEC60068-2-64
 - Sinusoidal: 0.5Grms @ 5~500 Hz according to IEC60068-2-6

Certifications

- CE approval
- FCC Class A

Ordering Information

Barebone

- **NISE 3640E (P/N: 10J00364000X0)**
3rd Generation Intel® Core™ i7 Fanless System with One PCIe x4 Expansion
- **NISE 3640E2 (P/N: 10J00364001X0)**
3rd Generation Intel® Core™ i7 Fanless System with Two PCIe x4 Expansion
- **NISE 3640P2 (P/N: 10J00364002X0)**
3rd Generation Intel® Core™ i7 Fanless System with Two PCI Expansion
- **NISE 3640P2E (P/N: 10J00364003X0)**
3rd Generation Intel® Core™ i7 Fanless System with One PCI Expansion and One PCIe x4 Expansion
- **24V, 120W AC/DC power adapter w/o power cord (P/N: 7400120001X00)**