

APPC 0840T

8" TFT SVGA 4:3 Flush Panel PC with Intel® Atom™ E3826, 1.46GHz, Touch Screen, 2GB DDR3L, 4x USB, 2x COM and VGA



Main Features

- 4:3 8" SVGA fanless panel computer
- Intel® Atom™ E3826, dual core, low power consumption CPU
- Flush panel by 5-wire touch screen
- Dual GbE/2nd display-VGA/2x RS232/422/485/Line-out
- 3 x USB 2.0/1 x USB 3.0/1 x mini-PCIe sockets/1 x CFast
- Remote power switch
- DDR3L 2GB/2.5" HDD bracket
- IP65 compliant front panel
- Support fieldbus module, JMobile HMI, Citect SCADA and CODESYS SoftLogic (optional)
- Mounting support: Panel/Wall/Stand/VESA 75mm x 75mm
- Wide range power input 12~30V DC

Product Overview

Incorporated a 8" 4:3 touch screen LCD panel with resolutions up to 800 x 600 (SVGA) and 400 nits brightness, the APPC 0840T are fanless Panel PC based on the Atom™ E3826 processor. The industrial motherboard is reengineering to have RAM and Mini-PCIe aligned in the same side of the board with its Intel® Atom™ E3826 CPU. This dedicated motherboard benefits users both in future capability expansion and ease for maintenance. The Panel PC comes with flush panel design and can have IP65 front for industrial applications. The touch screen provides the durable, reliable, and scratchable benefits for easy maintenance in wide applications.

The ultra slim APPC 0840T makes it become industrial slimmest model for space-critical applications, such as, access control, small automation machineries, forklift and truck etc. This APPC 0840T supports WWAN/WLAN expansion and others via dual Gigabit Ethernet connectors, one Mini-PCIe slot and one SIM card holder. With support for wide power input of 12~30V DC, this APPC 0840T can gain a strong foothold in industrial field and machine devices. In addition, this APPC 0840T can hook 2nd display via a VGA port for dual independent display. 0840T has two RS232/422/485 ports, three USB2.0 port, one USB3.0 port and fieldbus port.

Specifications

Panel

- LED size: 8", 4:3
- Resolution: SVGA 800 x 600
- Luminance: 400cd/m2
- Contrast ratio: 500
- LCD color: 262K
- Viewing angle: 50(U), 70(D), 70(L), 70(R)
- Backlight: LED
-

Touch screen

- 5-wire resistive (flush panel type)
- Touch light transmission: 82%
- Touch interface: USB

System

- CPU: On-board Intel® Atom™ dual core processor E3826, 1.46GHz, 1M L2 Cache
- BIOS: AMI BIOS
- System memory: 1x 204-pin DDR3L SO-DIMM socket, 2GB DDR3L (default), support up to 8GB DDR3L-1066/1333, non-ECC and un-buffered

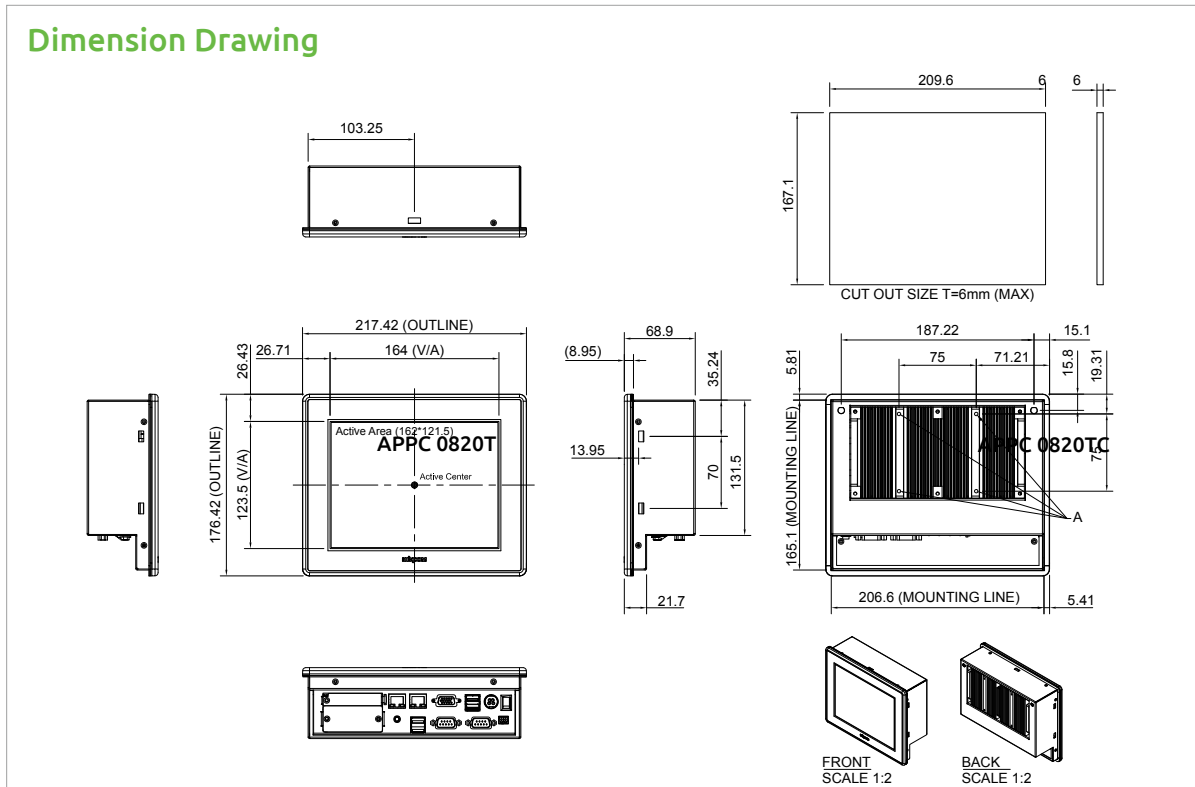
Storage device:

- 1 x external locked CFast socket
- 1 x hard drive bay: optional 1x 2.5" SATA HDD or 1x SATA DOM
- Watchdog timer: Watchdog timeout can be programmable by software from 1 second to 255 seconds and from 1 minute to 255 minutes (tolerance 15% under room temperature 25°C)
- H/W status monitor: monitoring system temperature, and voltage
- Expansion: 1x Mini-PCIe socket1 (support optional Wi-Fi, 3.5G module or fieldbus card)

Rear I/O

- Ethernet: 2x RJ45
- 2nd display VGA port: 1x DB15
- Audio port: 1x Line out
- USB: 3 x USB 2.0; 1 x USB 3.0
- Power switch
- Remote power switch
- Reset button
- COM #1: RS232/422/485
- COM #2: RS232/422/485
- Fieldbus: (protocol interface optional)

Dimension Drawing



Model	Protocol	Connector
FBI90E-PNM	ProFINET Master	Dual RJ-45
FBI90E-EP	Ethernet/IP Master	
FBI90E-ECM	EtherCAT Master	
FBI90E-PBM	Profibus Master	DB9
FBI90E-DNM	DeviceNet Master	5-pins Phoenix Contact Terminal

Audio

- HD codec: Realtek ALC886-GR
- Audio interface: Line out/ Line in (Optional)/ MIC-in (Optional) audio Jack

Ethernet

- LAN chip: dual Intel® I210AT Gigabit LAN
- Ethernet interface: 10/100/1000 Based-Tx Ethernet compatible

Mechanical & Environment

- Color: Pantone Black
- IP protection: IP65 front
- Mounting: panel/ wall/ stand/ VESA 75mm x 75mm
- System with panel mounting kit w/o panel mounting hole
- Power input: 12~30V DC
- Power adapter: Optional AC to DC power adaptor (+12V, 60W)
- Vibration:
 - IEC 68 2-64 (w/ HDD)
 - 1Grms @ sine, 5~500Hz, 1hr/axis (HDD operating)
 - 2Grms @ sine, 5~500Hz, 1hr/axis (CFast operating)
 - 2.2Grms @ random condition, 5~500Hz, 0.5hr/axis (non-operating)
- Shock:
 - IEC 68 2-27
 - HDD: 20G@wall mount, half sine, 11ms
- Operating temperature: -5°C to 50°C
- Storage temperature: -20°C to 75°C
- Operating humidity: 10%~90% relative humidity, non-condensing
- Dimension: 217.4x176.4x68.9mm
- Weight: 2.3Kg

Certifications

- CE approval
- FCC Class A

Ordering Information

Barebone

- **APPC 0840T (P/N: 10IA0840T00X0)**
8" SVGA LED backlight touch panel PC with Intel® Atom™ E3826 1.46 GHz, touch screen, 2GB DDR3L with 2x RS232/422/485

Options

- **12V, 60W AC/DC power adapter w/o power cord (P/N: 7400060017X00)**
- **PRONET master interface module: FBI90E-PNM for APPC (P/N: 88IA1932T00X0)**
- **EtherNet/IP master interface module: FBI90E-EP for APPC (P/N: 88IA1932T01X0)**
- **EtherCAT master interface module: FBI90E-ECM for APPC (P/N: 88IA1932T02X0)**
- **PROFIBUS master interface module: FBI90E-PBM for APPC (P/N: 8IA1932T03X0)**
- **DeviceNet master interface module: FBI90E-DNM for APPC (P/N: 8IA1932T04X0)**