

NISE 2400

Intel® Atom™ Processor E3827 Dual Core Fanless System



Main Features

- Onboard Intel® Atom™ processor E3827 Dual Core, 1.75GHz
- Dual independent display from DVI-H and HDMI
- 2 x Intel® I210IT GbE LAN ports support WoL, Teaming and PXE
- 4 x USB 2.0 & 1 x USB 3.0
- 4 x RS232 & 2 x RS2422/485 with auto flow control
- 2 x Mini-PCIe socket for optional mSATA/Wi-Fi/4G LTE/3.5G/Fieldbus modules
- Support -20 to 70 degree Celus extended operating temperature
- Support 9-30V DC input

Product Overview

Powered by Intel® Atom™ Bay Trail Dual Core processor E3827, 1.75GHz. Driven by the latest Dual Core Intel® Atom™ processor, NISE 2400 can provide excellent computing power and is more power-efficient than the platforms based on the previous generation Intel® Atom™ product family.

NISE 2400 supports up to 8G DDR3L memory and have several options on storage devices like C-Fast, HDD, SSD or mSATA. The NISE2400 comes with 1 x HDMI, 1 x DVI-H, 2 x Gigabit LAN ports, 2x COM port with RS232/422/485 and 5x USB ports including one USB 3.0. NISE 2400 supports 9 ~ 30V DC input, and can be operated in an extended operating temperature range from -20 to 70 degrees Celsius. This Fanless system supports two Mini-PCIe modules, which can be an excellent platform for IOT applications (with optional GbE LAN, Wi-Fi, 3.5G/4G LTE module) and factory automation applications with optional fieldbus module. Its expansion versatility makes NISE 2400 a perfect platform for factory automation and M2M intelligent computing applications.

Specifications

CPU Support

- Onboard Intel® Atom™ processor E3827 Dual Core, 1.75GHz
- Support Intel® Atom™ E3800 processor family from single core E3815, dual core E3825/E3826/E3827 and quad core E3845 with difference SKUs

Main Memory

- 2 x DDR3L SO-DIMM socket, support DDR3L 1066/1333 8GB RAM max., un-buffered and non-ECC

Display Option

- Dual independent display
 - HDMI and DVI-D
 - HDMI and VGA (via DVI-H connector)

Front I/O Interface

- ATX power on/off switch
- 1 x Power Status, 1 x HDD access, 1 x battery low, 4 x programming LEDs, 4 x Tx/Rx LEDs, 2 x LAN LEDs
- 2 x DB9 RS232 for COM1 & COM2
- 1 x External CFast socket
- 1 x SIM card holder
- 1 x USB 3.0 (900mA per each)
- 1 x Mic-in & 1 x Line-out
- 2 x antenna holes for optional Wi-Fi/3.5G antenna

I/O Interface - Rear

- 4 x USB 2.0
- 1 x DVI-H display output
- 1 x HDMI display output
- 1 x remote power on/off switch
- 2 x Intel® I210IT GbE LAN ports, support wake on LAN, Teaming and PXE
- 2 x DB9 for COM3 & COM4, both support RS232/422/485 with auto flow control
 - Jumper-free setting on RS232/422/485
- 1 x 3-pin DC input, support +9 to 30VDC input

I/O Interface - Internal

- 4 x GPI and 4 GPO (5V, TTL Type)

Storage Device

- 1 x CFast card socket (SATA 2.0)
- 1 x 2.5" HDD space (SATA 2.0)
- 1 x mSATA from miniPCI socket if SATA HDD is not installed

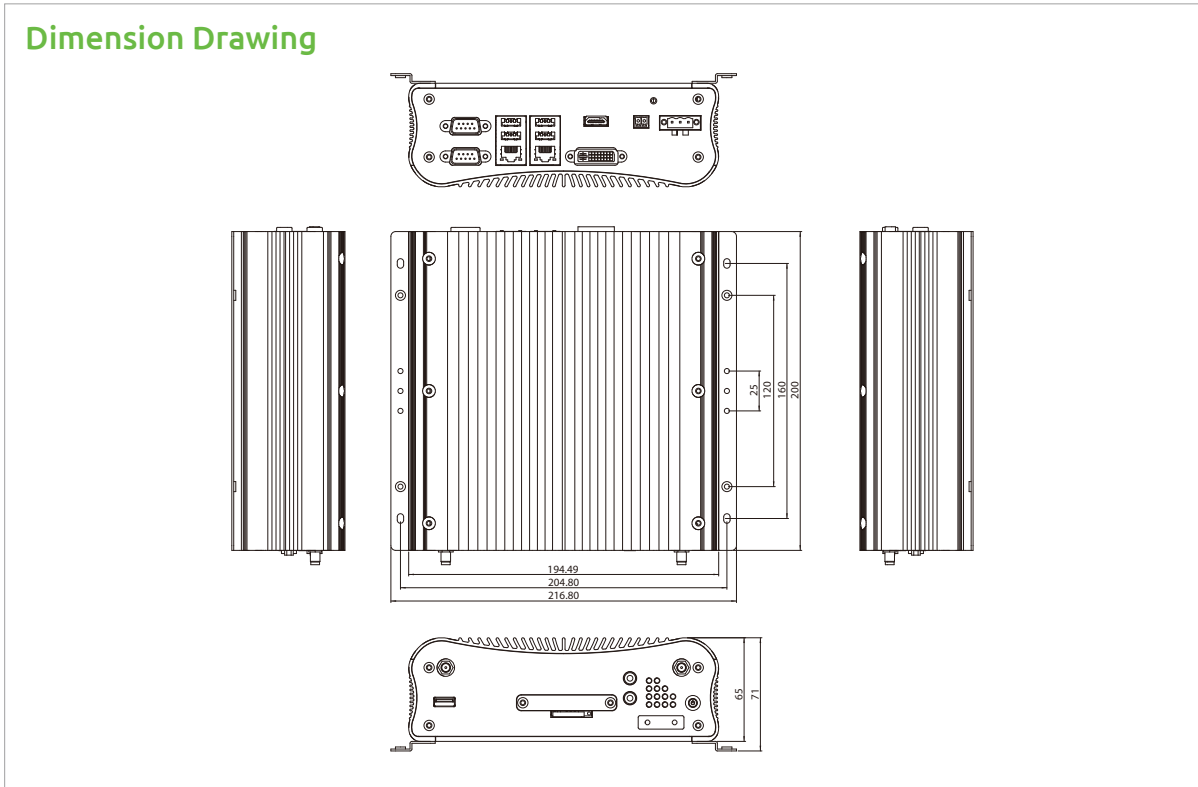
Expansion Slot

- 2 x Mini-PCIe socket for optional Wi-Fi/4G LTE/3.5G

Power Requirement

- Power input: +9Vdc to +30Vdc
- 1 x optional 24V, 60W power adapter

Dimension Drawing



Dimensions

- 191mm (W) x 200mm (D) x 60mm (H) without wall-mount bracket

Construction

- Aluminum and metal chassis with fanless design

Environment

- Operating Temperature:
Ambient with air flow: -20°C to 70°C
(According to IEC60068-2-1, IEC60068-2-2, IEC60068-2-14)
- Storage temperature: -30°C to 85°C
- Relative humidity: 10% to 95% (non-condensing)
- Shock Protection:
HDD: 20G, half sine, 11ms, IEC60068-2-27
CFast: 50G, half sine, 11ms, IEC60068-2-27
- Vibration Protection w/ HDD Condition:
Random: 0.5Grms @ 5 ~ 500Hz, IEC60068-2-64
Sinusoidal: 0.5Grms @ 5 ~ 500Hz, IEC60068-2-6
- Vibration protection w/ CFast & SSD condition:
Random: 2Grms @ 5 ~ 500Hz, IEC60068-2-64
Sinusoidal: 2Grms @ 5 ~ 500Hz, IEC60068-2-6

Certifications

- CE
- FCC Class A

OS Support Lists

- Windows 8, 32bit/64bit
- Windows Embedded Standard 8, 32bit/64bit
- Windows 7, 32bit/64bit
- Windows Embedded Standard 7, 32bit/64bit
- Linux Kernel version 3.8.0
- Android 4.4, 64bit
- Moon Island

Ordering Information

Barebone

- **NISE 2400 (P/N:10J00240000X0)**
Onboard Intel® Atom™ processor E3827 Dual Core, 1.75GHz
- **24V 60W AC/DC power adapter w/ o power cord**
(P/N: 7400060024X00)